



Preliminary

Date: _____ Type: _____

Firm Name: _____

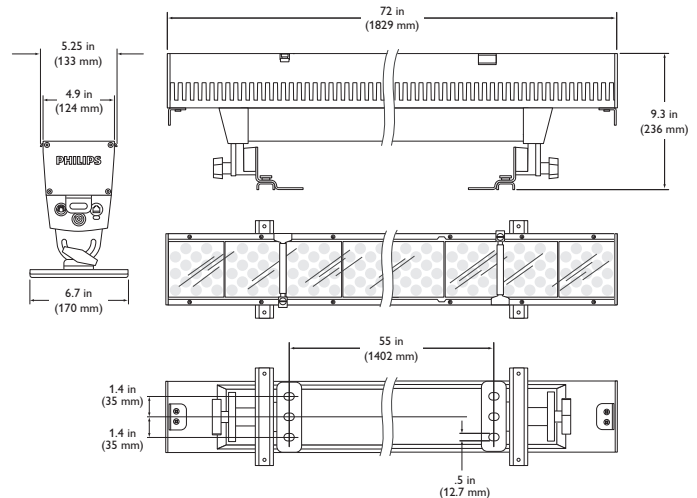
Project: _____

ColorBlaze TRX

6 ft fixture

Rugged RGBAW LED fixture for brilliant stage lighting and stunning effects

ColorBlaze® TRX, a versatile, feature-packed linear RGBAW LED fixture, delivers stunning effects and intense washes of color for flooding surfaces and stages. These powerful, stage-ready fixtures incorporate channels of red, green, blue, amber, and white LEDs to achieve superior color precision and a dramatically expanded color palette. ColorBlaze TRX is the ideal solution for theatrical and rental distributors, exhibition houses, theaters, nightclubs, and other entertainment venues.



- Intense light output — Outperforms the competition with estimated output of over 3,000 lumens per foot. Controllable in increments from 4 in (102 mm) to 6 ft (1.8 m). Available spread lenses offer flexibility in directing and dispersing light.
- Expanded color palette — Adds intense yellows, high-quality whites, and a range of subtle pastel colors to the millions of saturated colors achievable with standard RGB lighting fixtures.
- Flexible color control modes — Includes RGBAW in / out, RGB in / out, and RGB in mapped to RGBAW out. Offers consistent operation in installations with a mix of ColorBlaze TRX and RGB LED fixtures.
- Superior color consistency and accuracy — Optibin®, an advanced binning algorithm, sets a new standard for the color consistency of LED sources used in manufacturing. Chromasync™ technology achieves unprecedented consistency of light performance and color precision across multiple fixtures in an installation while maximizing intensity and color range.
- Field serviceable for on-site maintenance — Most fixture components are field-serviceable and replaceable, including primary lenses, optic trays, LED boards, power supplies, filter boards, fans, control board, and connector boards
- Advanced dimming and channel control — 16-bit resolution supports smooth dimming and precise color control. Adjustable dimming curves and LED transition speeds emulate the behavior of other LED and conventional theatrical fixtures with DMX dimming.
- Data input and standalone modes — Accepts DMX or Ethernet input from Philips and third-party DMX and Ethernet controllers. Standalone mode offers configurable pre-set light shows.
- Advanced on-board controls — On-board access to all functions and features, including addressing, data input mode, power settings, color control modes, fixture resolution, dimming curve, diagnostics, and more.
- Versatile mounting options — Clamp-mount surface mount. Industrial-grade constant torque hinges and locking handles offer stable, 165° rotation for quick fixture aiming and locking.
- Universal, integrated power supply — Auto-switching power supply accepts power input of 100 – 240 VAC, eliminating additional equipment and enabling consistent use around the world.

For detailed product information, please refer to the ColorBlaze TRX Product Guide at www.colorkinetics.com/ls/rgb/colorblazetrx/



Specifications

Due to continuous improvements and innovations, specifications may change without notice.

Item	Specification	6 ft
Output	Beam Angle	10°
	Lumens†	18,000 (estimated)
	Lumen Maintenance‡	50,000 hours L50 @ 25° C 35,000 hours L50 @ 50° C
Electrical	Input Voltage	100 – 240 VAC, auto-switching, 50 / 60 Hz
	Power Consumption	930 W maximum at full output, steady state
Control	Interface	DMX or 10/100 Ethernet. Fixture firmware addressable 8- and 16-bit control, RGBAW, RGB, and HSI modes.
	Control System	Philips full range of controllers, including Video System Manager Pro, Light System Manager, and iPlayer 3, or third-party controllers
Physical	Dimensions (Height x Width x Depth)	9.3 x 72 x 6.7 in (236 x 1829 x 170 mm)
	Weight	43 lb (19.5 kg)
	Housing	Extruded aluminium and polymer, black finish
	Lens	Clear polycarbonate
	Fixture Connections	Neutrik PowerCon Power Connector RJ45 and XLR-5 data connections
	Temperature Ranges	-40° – 122° F (-40° – 50° C) Operating 32° – 122° F (0° – 50° C) Startup -40° – 176° F (-40° – 80° C) Storage
	Humidity	0 – 95%, non-condensing
Certification and Safety	Certification	UL / cUL, CE, CCC
	LED Class	Class 2 LED product
	Environment	Dry Location, IP20

† Lumen measurement complies with IES LM-79-08

‡ L50 = 50% maintenance of lumen output (when light output drops below 50% of initial output). Ambient temperatures specified. Based on measurements that comply with IES LM-80-08 testing procedures. See www.colorkinetics.com/support/appnotes/lm-80-08.pdf for more information.



CHROMACORE[®] CK TECHNOLOGY | CHROMASYNC[®] CK TECHNOLOGY | OPTIBIN[®] CK TECHNOLOGY

Fixtures and Spread Lenses

Item	Type	Item Number	Philips 12NC
ColorBlaze TRX	2 ft	116-000028-00	910503701741
	6 ft	116-000028-01	910503701742
Spread Lenses	22°	120-000109-00	910503701959
	32°	120-000109-01	910503701960
	60° x 32°	120-000109-03	910503701961
	32° x 12°	120-000109-02	910503701962

Use Item Number when ordering in North America.

Replacement Parts

Item	Item Number	Philips 12NC
LED board assembly	120-000127-00	910503701963
Power supply / filter board assembly with current sensor (center unit)	120-000128-00	910503701964
Power supply / filter board assembly with isolator (end unit)	120-000128-01	910503701965
Control board with OLED display	120-000129-00	910503701966
Fan assembly	120-000130-00	910503701967
Primary lens, 2 ft	120-000131-00	910503701968
Primary lens, 6 ft	120-000131-01	910503701969
LED board carrier	120-000132-00	910503701970
Secondary lens rail pair, 2 ft	120-000133-00	910503701971
Secondary lens rail pair, 6 ft	120-000133-01	910503701972
Lens clip assembly	120-000134-00	910503701973
Diffuser spacer	120-000134-01	910503701974
Top end cap assemblies	120-000135-00	910503701974
Yoke with mounting foot	120-000136-00	910503701975
Trunion set with mounting foot	120-000137-00	910503701976
Thermoplastic star knob	120-000138-00	910503701977
End cap rotation bracket, input side	120-000139-00	910503701978
End cap rotation bracket, output side	120-000139-01	910503701978
Input connector board	120-000140-00	910503701979
Output connector board	120-000140-01	910503701980
Optics tray with optics	120-000141-00	910503701981
Back cover, 2 ft	120-000142-00	910503701982
Back cover, 6 ft	120-000142-01	910503701983
Distribution board	120-000143-00	910503701984

Use Item Number when ordering in North America.



Philips Color Kinetics
3 Burlington Woods Drive
Burlington, Massachusetts 01803 USA
Tel 888.385.5742
Tel 617.423.9999
Fax 617.423.9998
www.philipscolorkinetics.com

Copyright © 2010 Philips Solid-State Lighting Solutions, Inc. All rights reserved. Chromacore, Chromasic, CK, the CK logo, Color Kinetics, the Color Kinetics logo, ColorBlast, ColorBlaze, ColorBurst, eW Fuse, ColorGraze, ColorPlay, ColorReach, iW Reach, eW Fuse, eW Reach, DIMand, EssentialWhite, eW, iColor, iColor Cove, IntelliWhite, iW, iPlayer, Optibin, and Powercore are either registered trademarks or trademarks of Philips Solid-State Lighting Solutions, Inc. in the United States and / or other countries. All other brand or product names are trademarks or registered trademarks of their respective owners. Due to continuous improvements and innovations, specifications may change without notice.

DAS-000076-02 R00 10-10