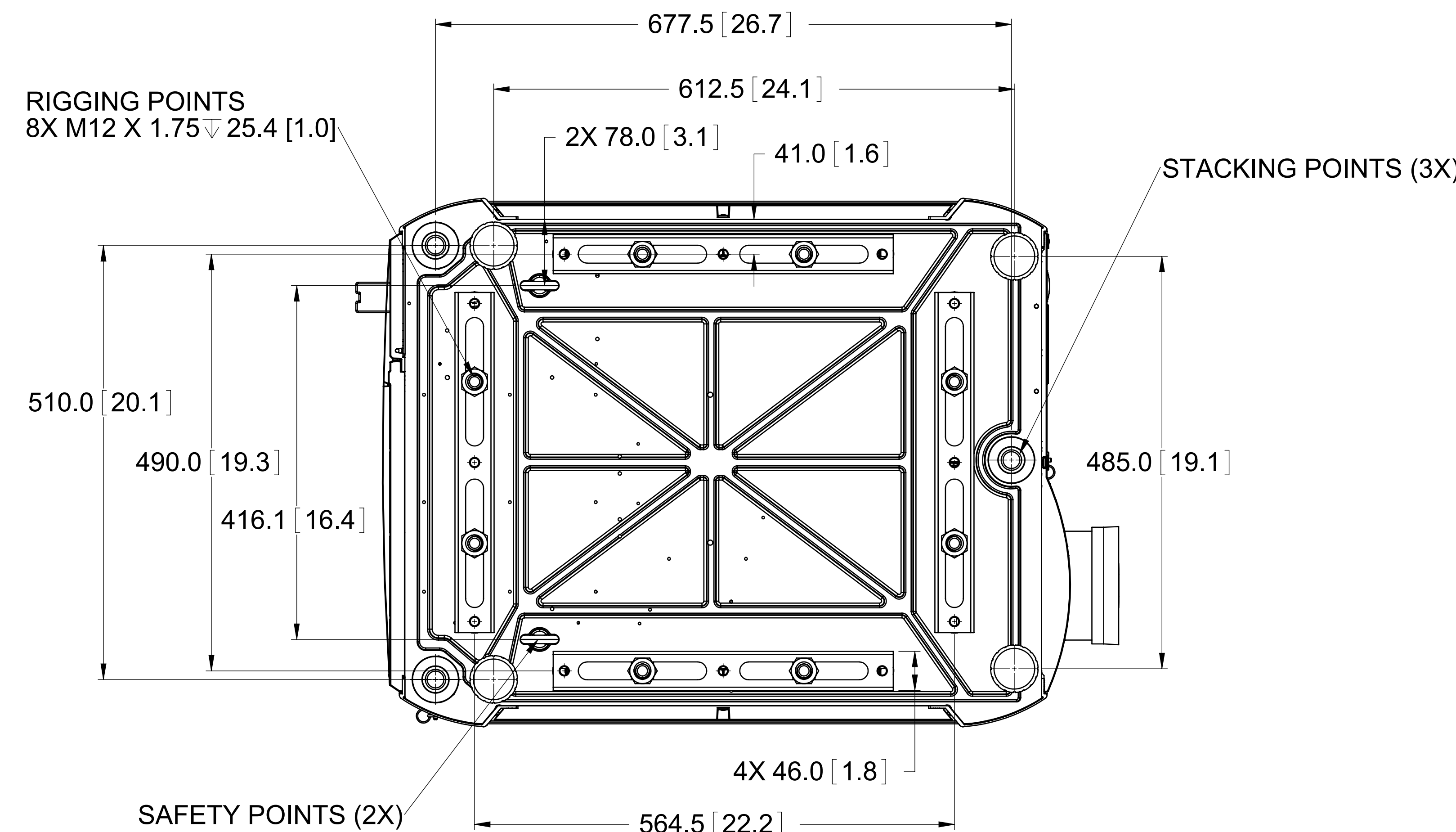
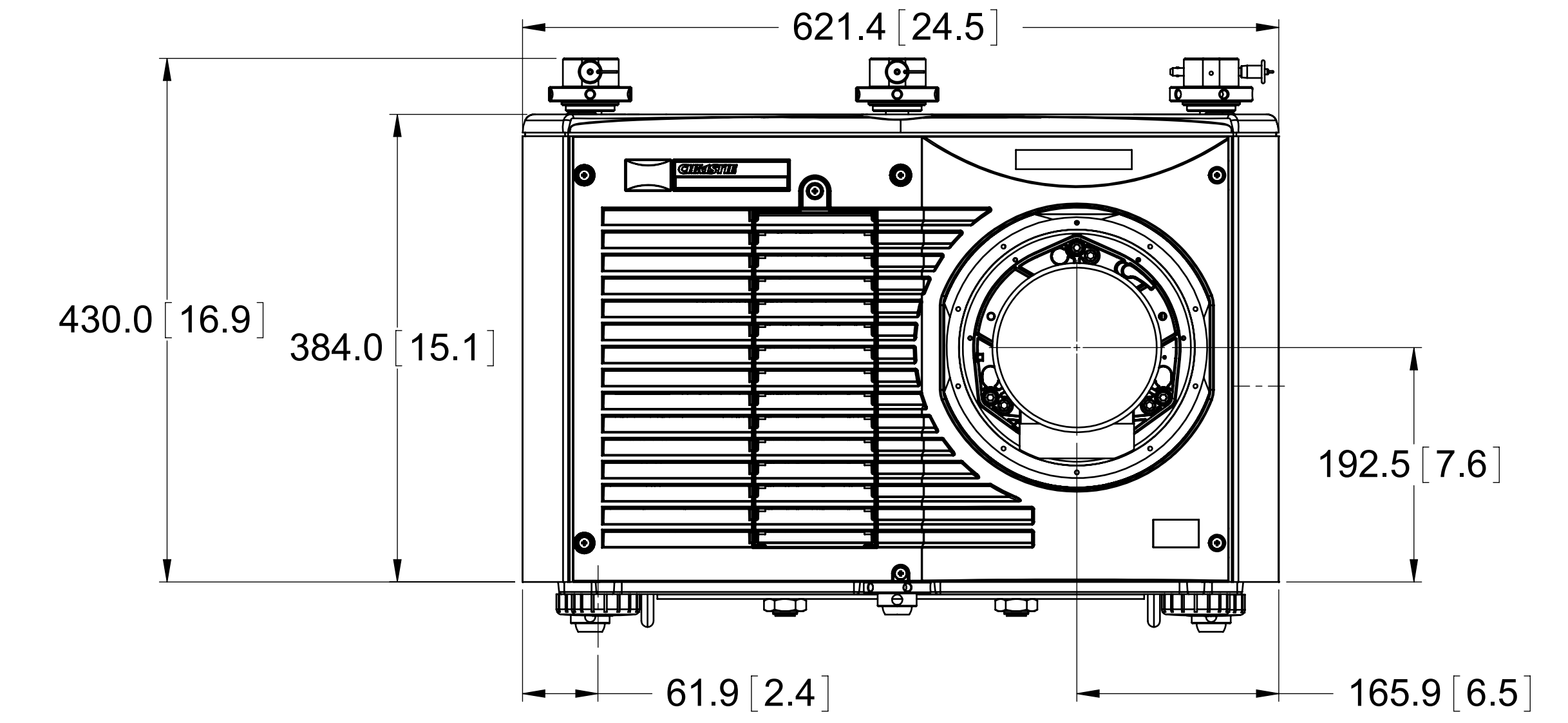
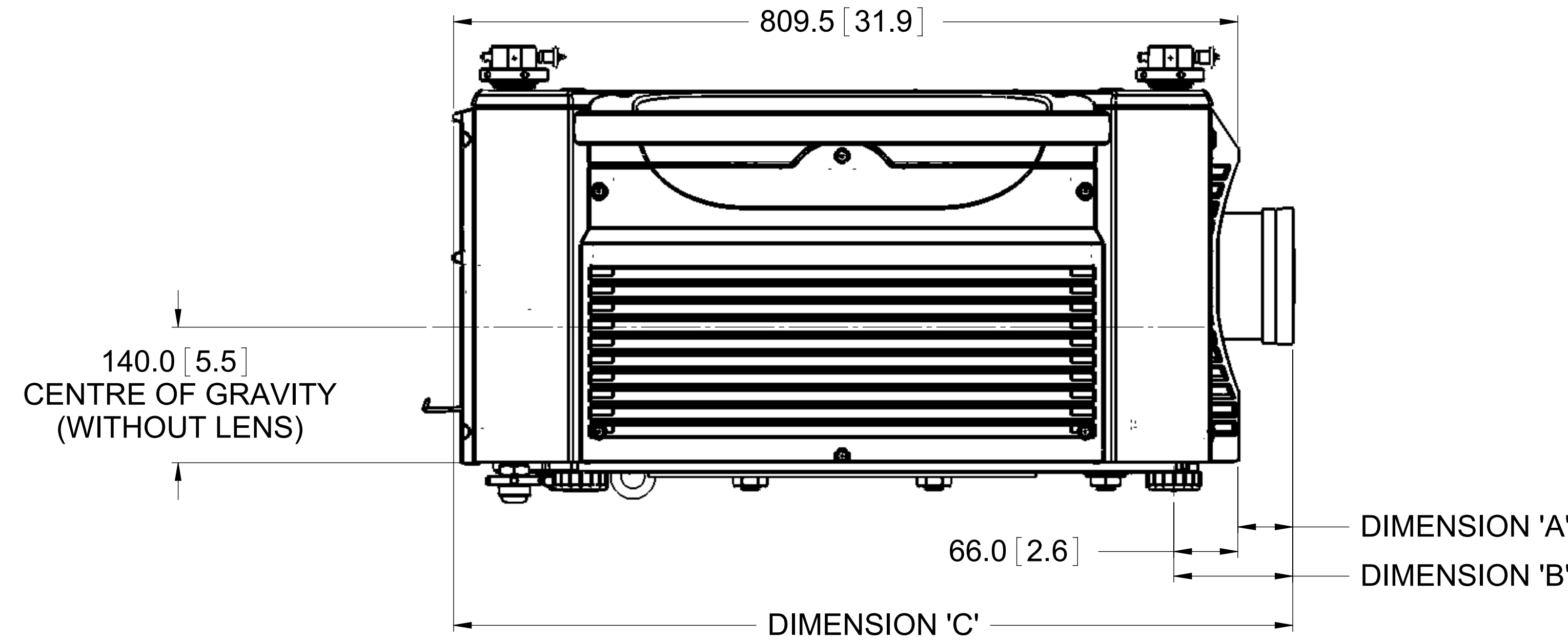
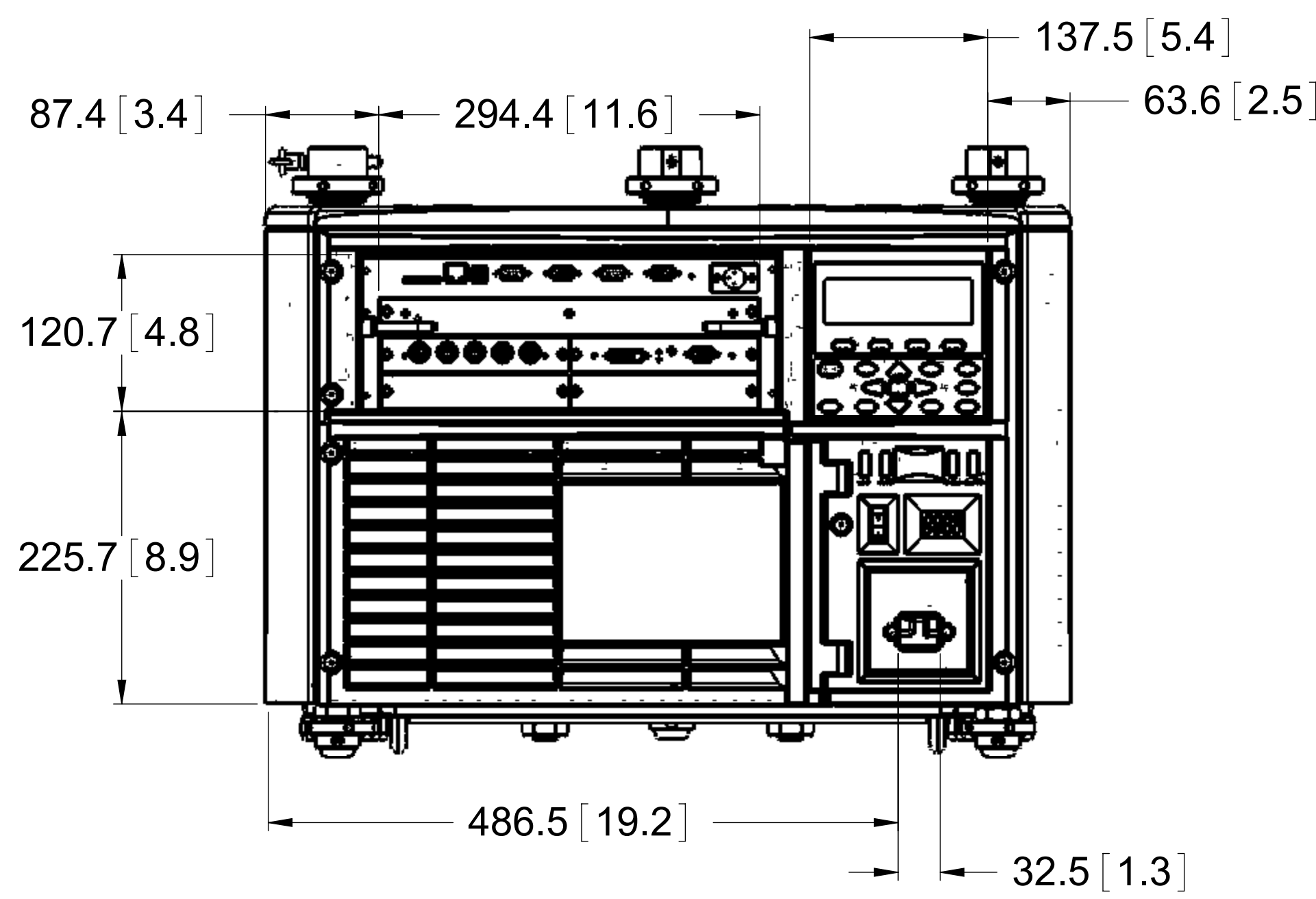
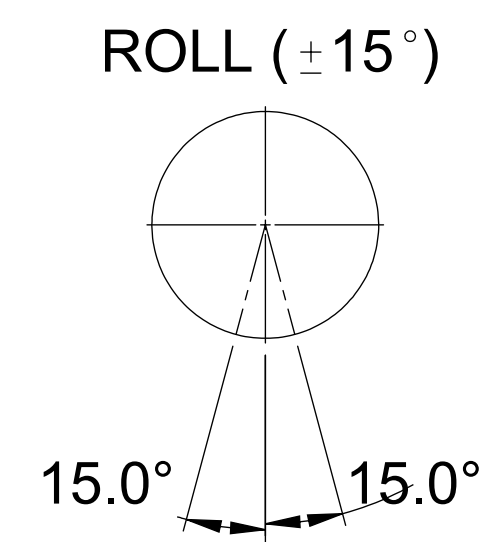
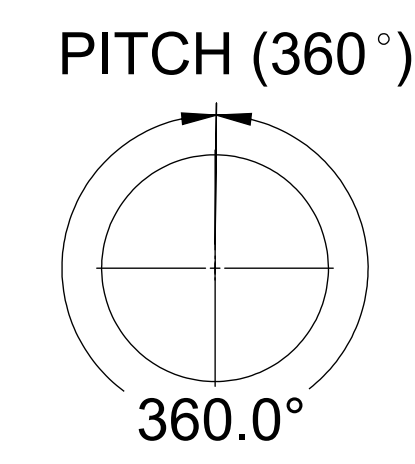
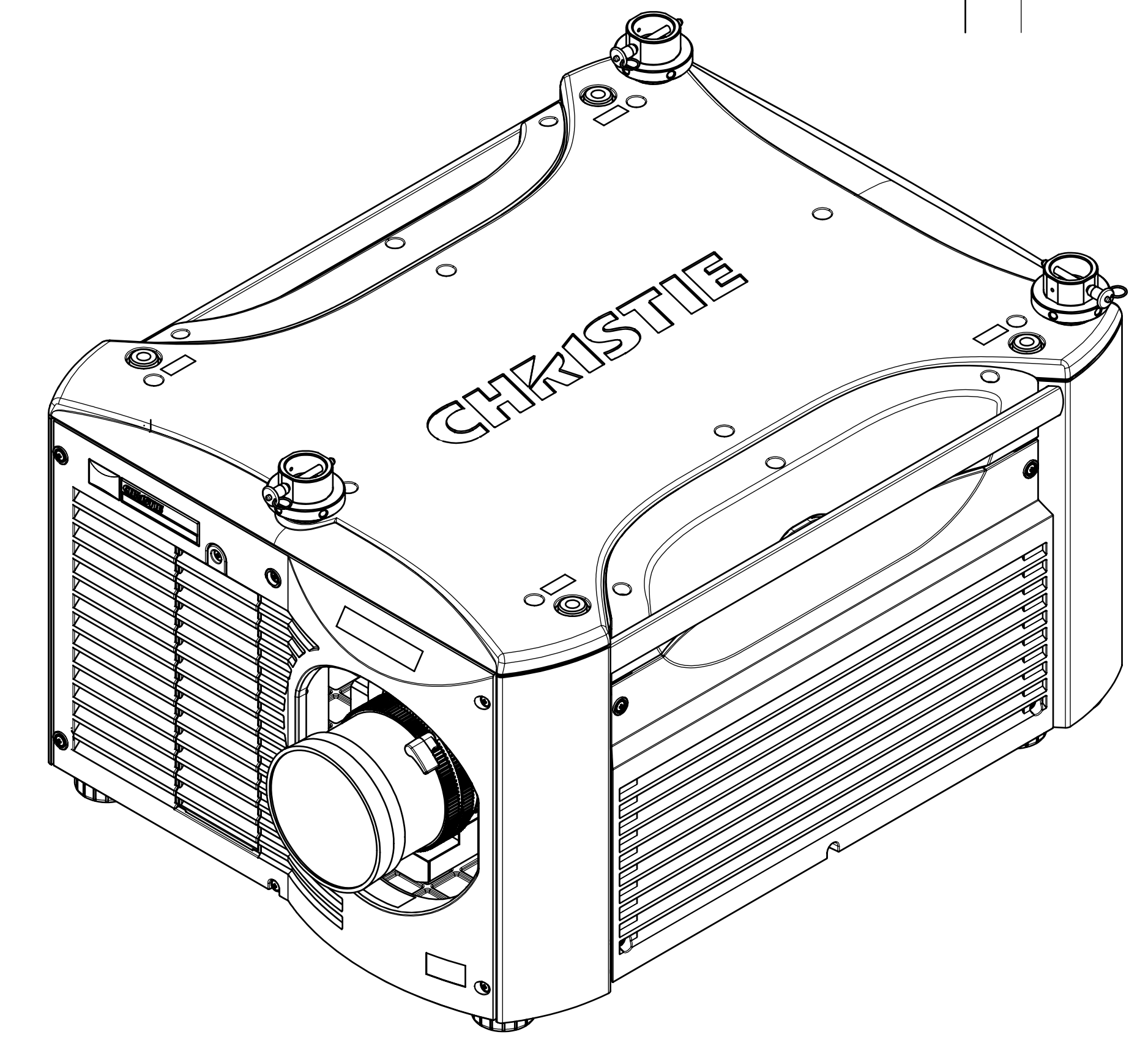
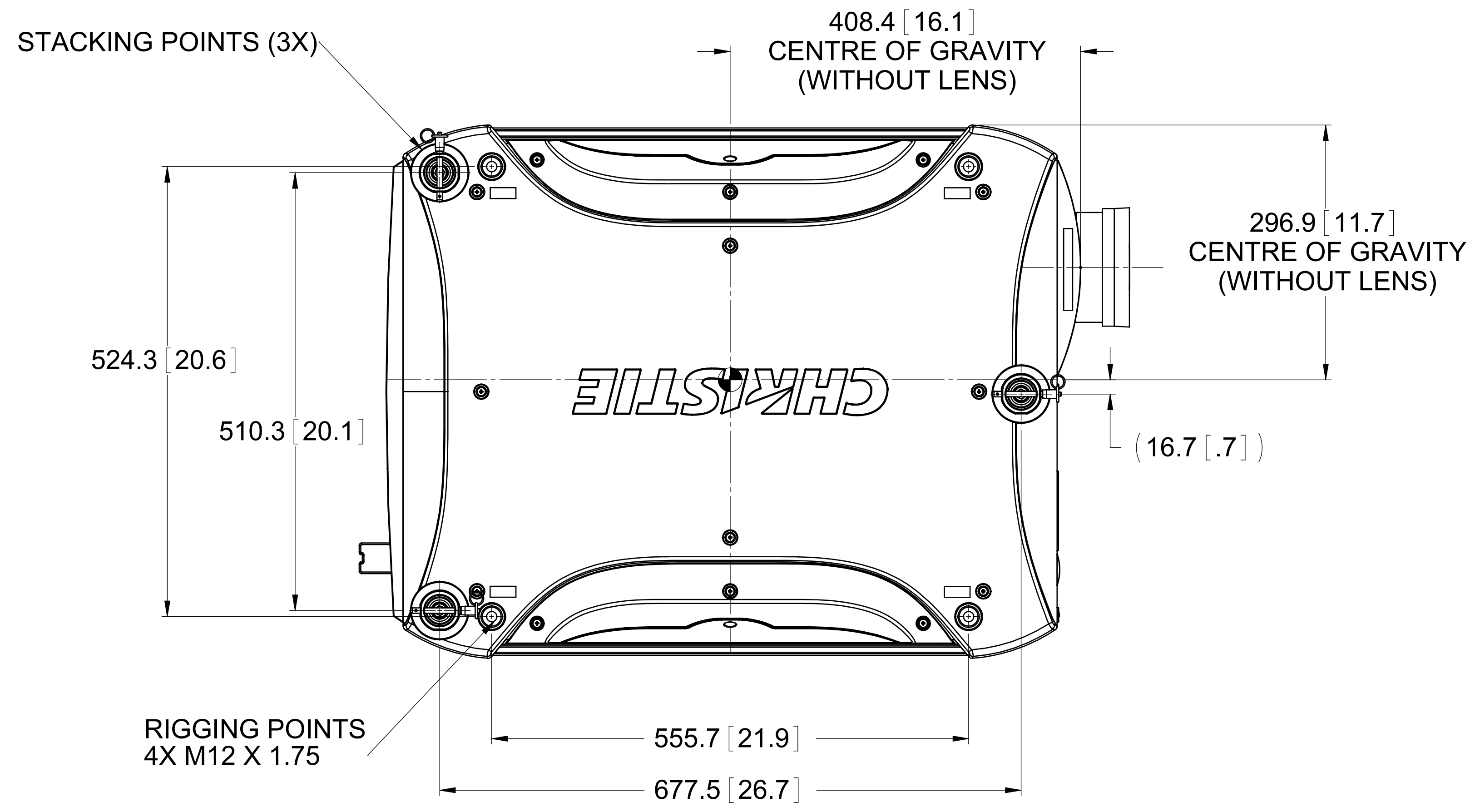
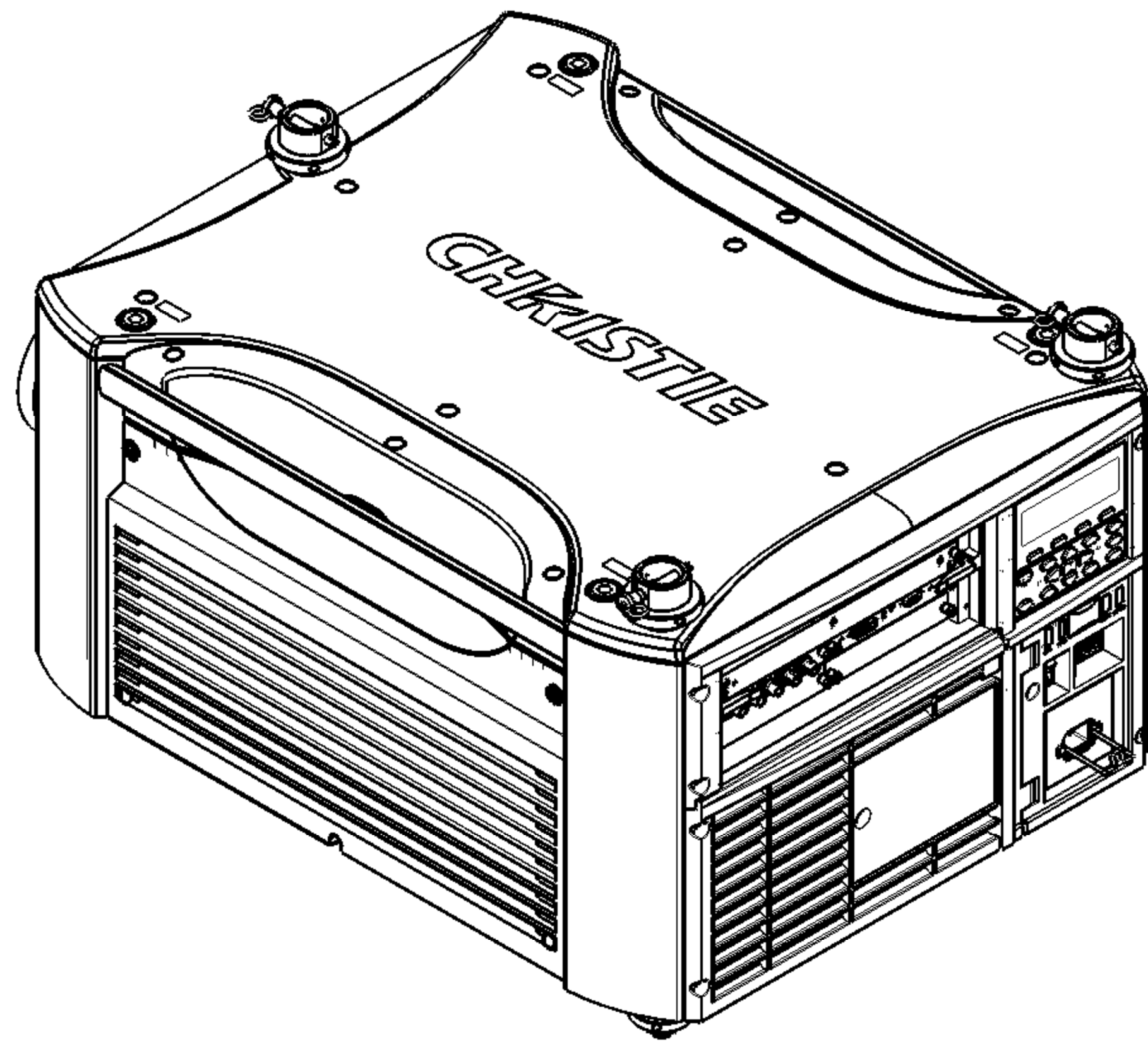


REVISION HISTORY OF: 020-100770-01			
REV	DESCRIPTION OF CHANGE	BY	REV DATE
01	INITIAL RELEASE	JB	06/23/2011



GENERAL NOTES:

MASS:

1.9 kW: 67.5 kg (148 lbs) NO LENS
 2.4 kW: 69.5 kg (153 lbs) NO LENS
 3.0 kW: 76.5 kg (168 lbs) NO LENS

AMBIENT AIR TEMPERATURE: 5°C (41°F) TO 40°C (104°F)

TILT ANGLE: 360° BACK TO FRONT PITCH,
 ±15° MAX. SIDE-TO-SIDE ROLL (NORMAL ORIENTATION)
 ±15° MAX. SIDE-TO-SIDE ROLL (PORTRAIT ORIENTATION)

POWER REQUIREMENTS:

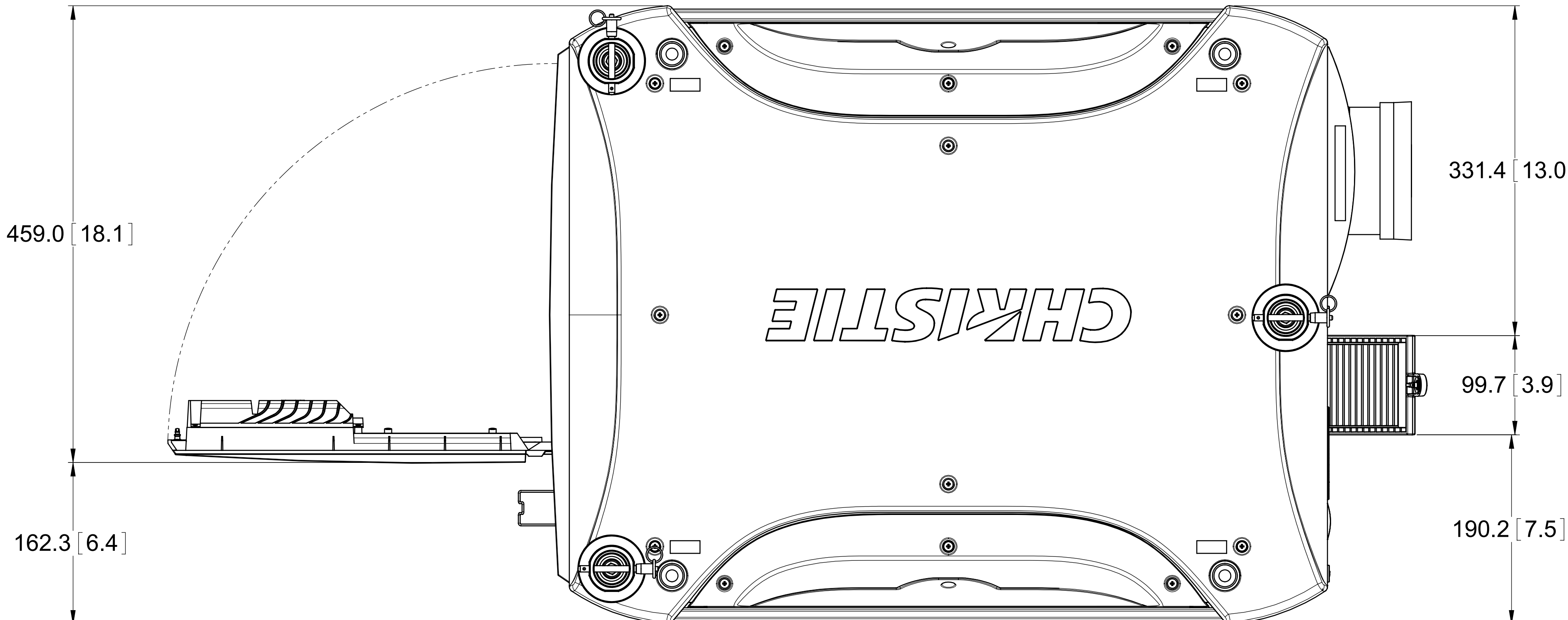
1.9 kW - SINGLE PHASE 200-240 VAC, 14A
 MAX POWER CONSUMPTION: 2.8 kW

2.4 kW - SINGLE PHASE 200-240 VAC, 16A
 MAX POWER CONSUMPTION: 3.2 kW

3.0 kW - SINGLE PHASE 200-240 VAC, 20A
 MAX POWER CONSUMPTION: 4.0 kW

LENS	DIM 'A'	DIM 'B'	DIM 'C'
118-100110-XX LensILS 0.73SX+/0.67HD	132.6	198.6	947.4
118-100111-XX LensILS 1.25-1.6SX+/1.16-1.49HD	153.9	219.9	968.7
118-100112-XX LensILS 1.5-2.0SX+/1.4-1.8HD	122.1	188.1	936.9
118-100113-XX LensILS 2.0-2.8SX+/1.8-2.6HD	86.7	152.7	901.5
118-100114-XX LensILS 2.8-4.5SX+/2.6-4.1HD	72.5	138.5	887.3
118-100115-XX LensILS 4.5-7.5SX+/4.1-6.9HD	56.7	122.7	871.5
118-100116-XX LensILS 7.5-11.2SX+/6.9-10.4HD	113.2	179.2	928.0
118-100117-XX LensILS 1.2SX+/1.1HD	196.4	262.4	1011.2

UNITS: <input checked="" type="checkbox"/> MILLIMETRES <input type="checkbox"/> INCHES	UNLESS OTHERWISE SPECIFIED INTERFERE DIMENSIONS AND TOLERANCES PER ASME Y14.5M-1994	TOLERANCES APPLY AS SHOWN BELOW	PROPRIETARY	NOT TO BE DISCLOSED OR REPRODUCED IN ANY MANNER WITHOUT THE EXPRESS WRITTEN PERMISSION OF CHRISTIE	THIRD ANGLE PROJECTION	CHRISTIE DIGITAL SYSTEMS USA, INC. CHRISTIE DIGITAL SYSTEMS CANADA, INC.
DECIMAL PLACES: .XXX ±.013, .XX ±.012, .X ±.010	ANGULAR DIMENSIONS: XX° ±.01°, XX' ±.01°	SCALE: 1:4	MASS: - LBS (- KG)	SHEET 1 OF 3	CHRISTIE J-SERIES HIGH POWER 020-100770-01	



500.0 [19.7]
MINIMUM DISTANCE
FOR AIRFLOW

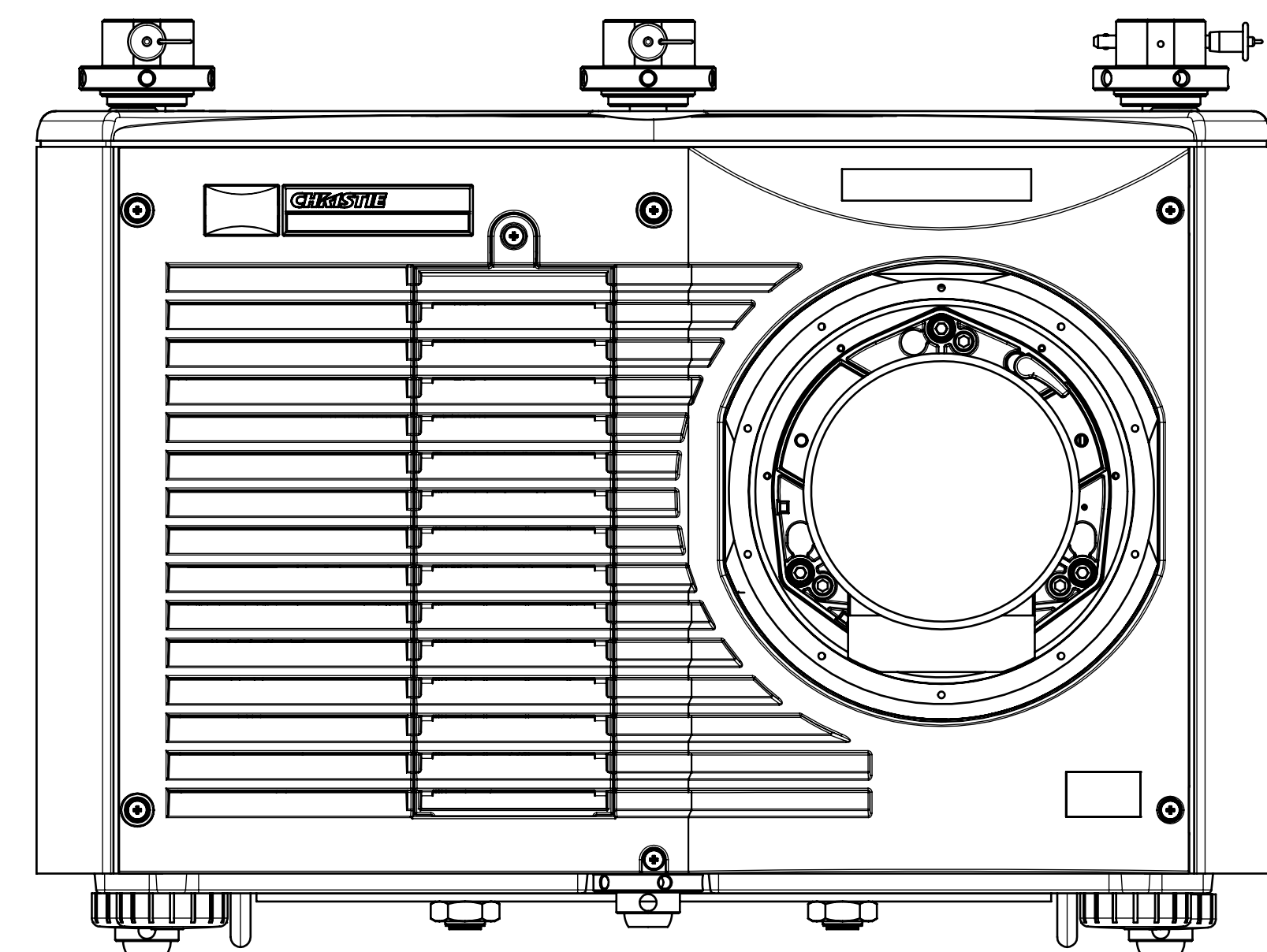
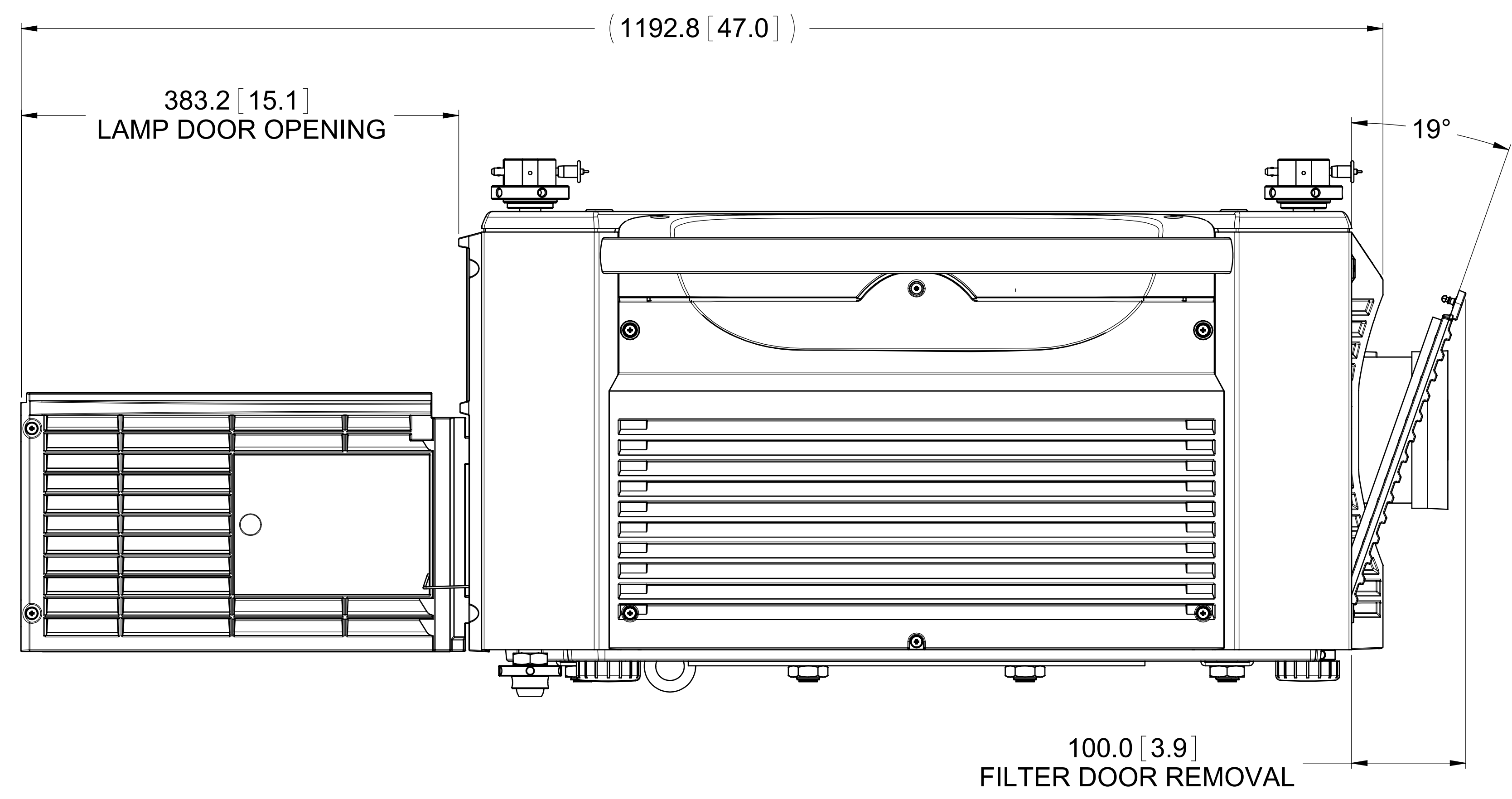
BALLAST & LAMP
AIR EXHAUST
140 CFM [APPROX]

LIGHT ENGINE & OPTICS
AIR EXHAUST
90 CFM [APPROX]

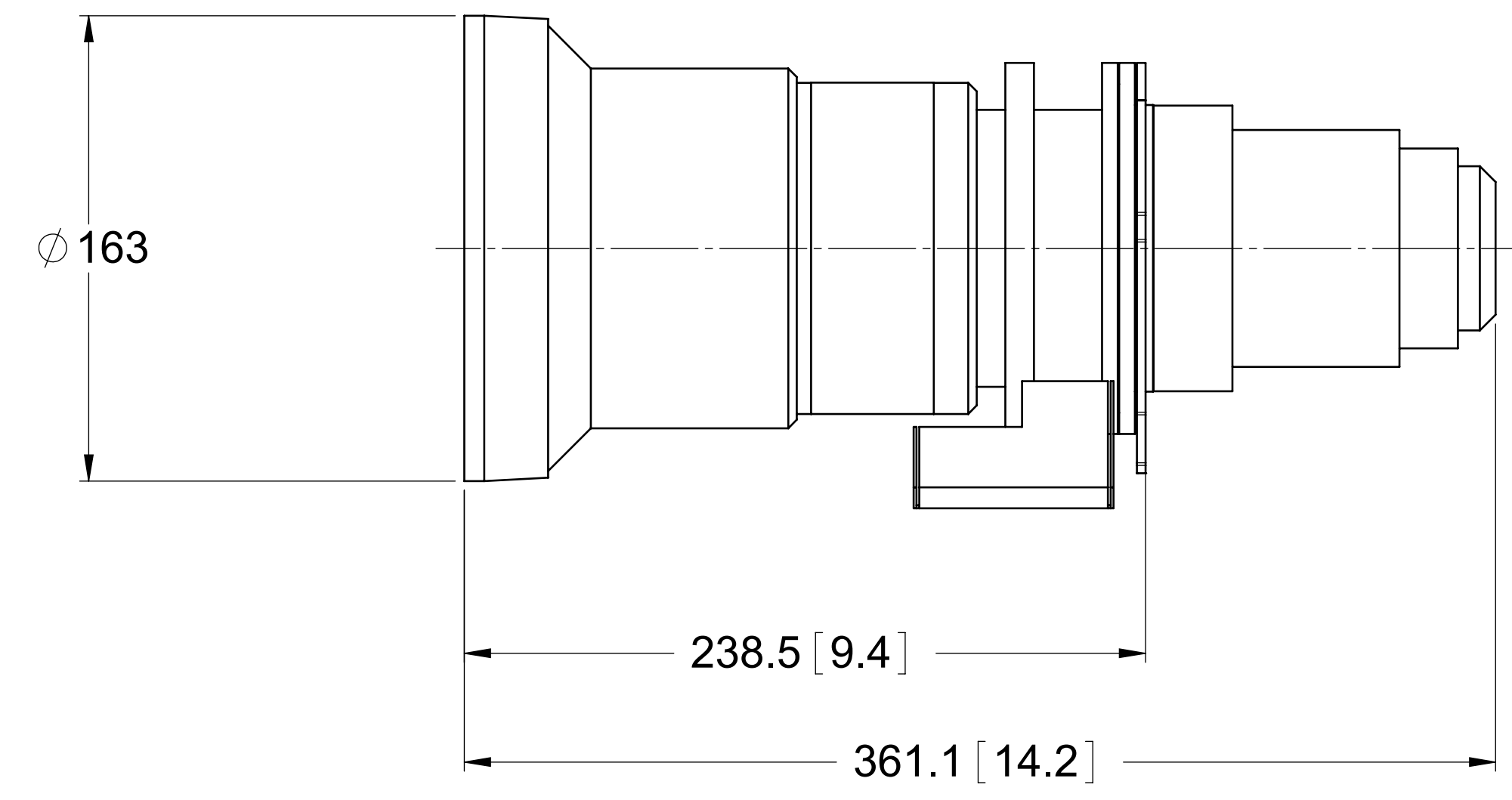


BALLAST & LAMP AIR
INTAKE (UN-FILTERED)
180 CFM [APPROX]

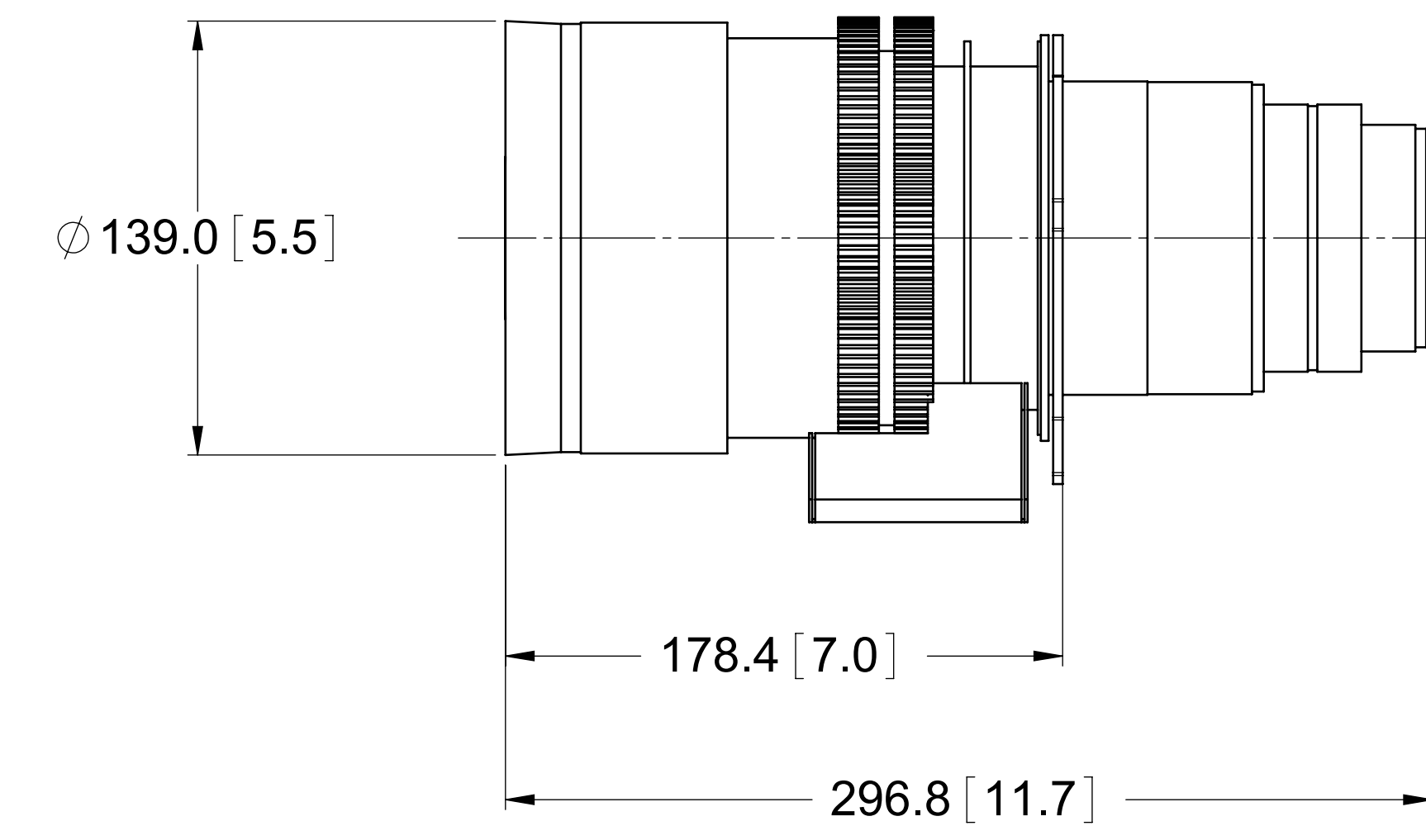
LIGHT ENGINE & OPTICS
AIR INTAKE (FILTERED)
100 CFM [APPROX]



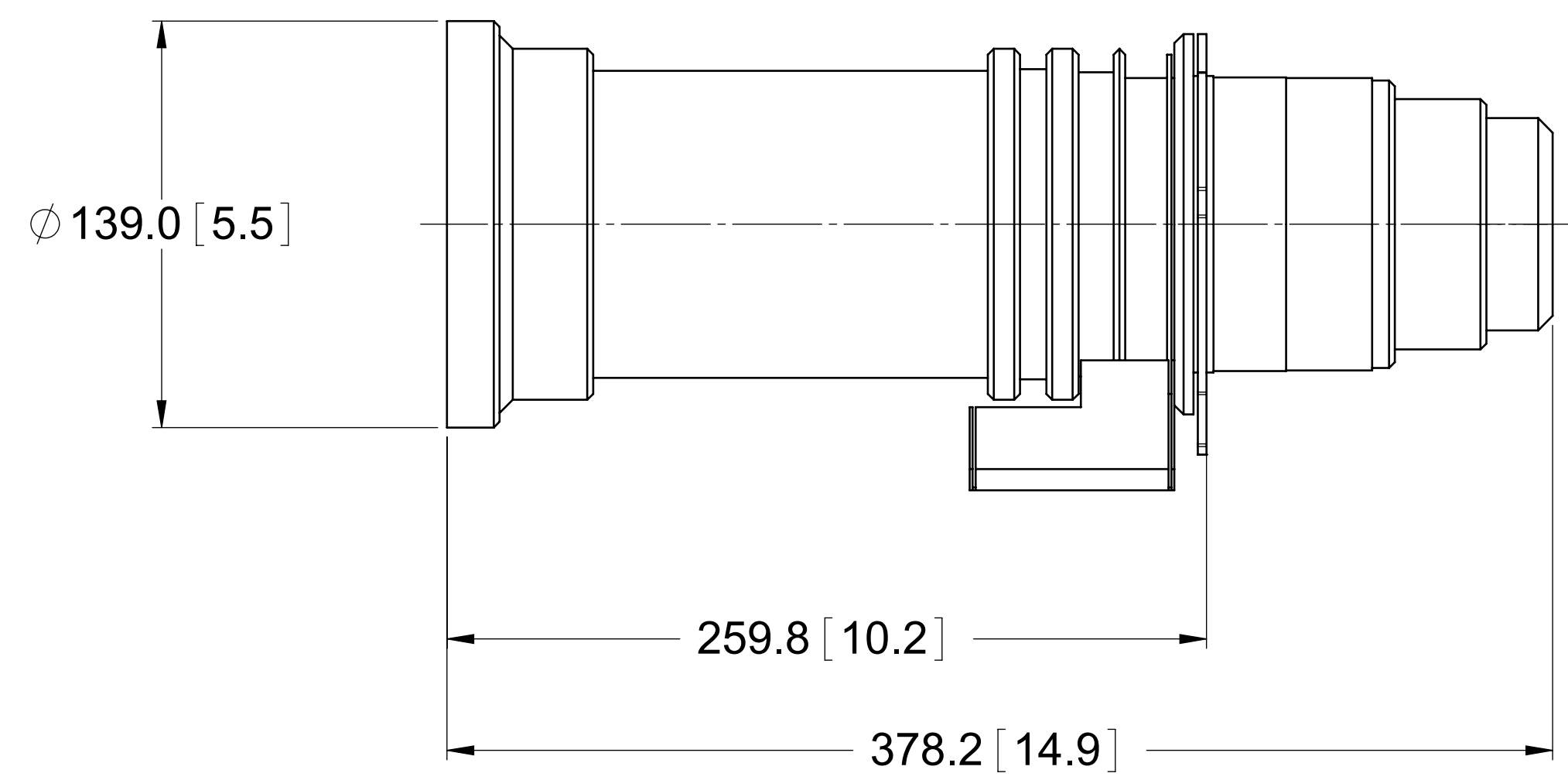
PROJECTION LENSES



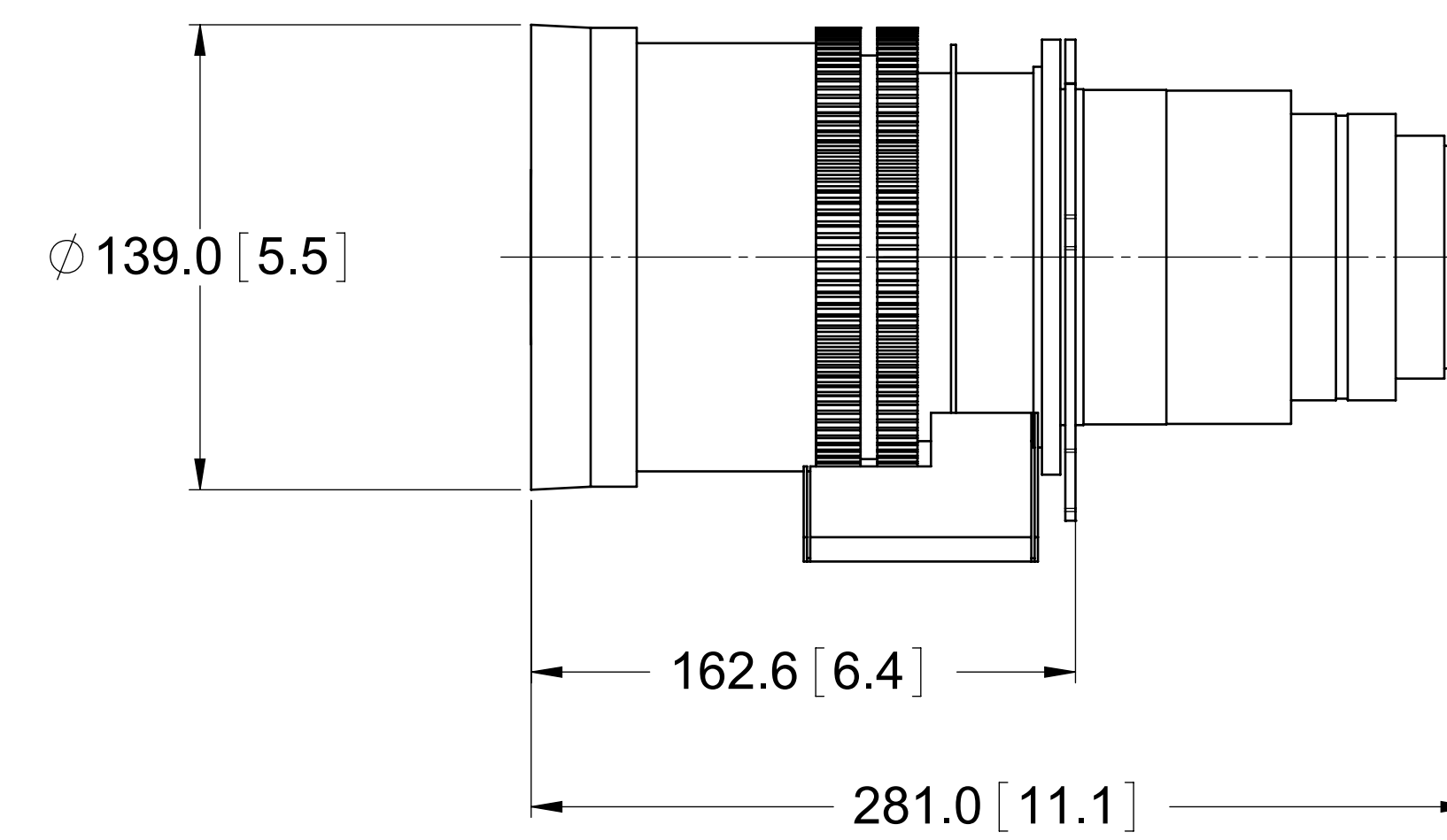
118-100110-XX LENSILS 0.73 SX+/ 0.67 HD
12.34lbs [5.60Kg]



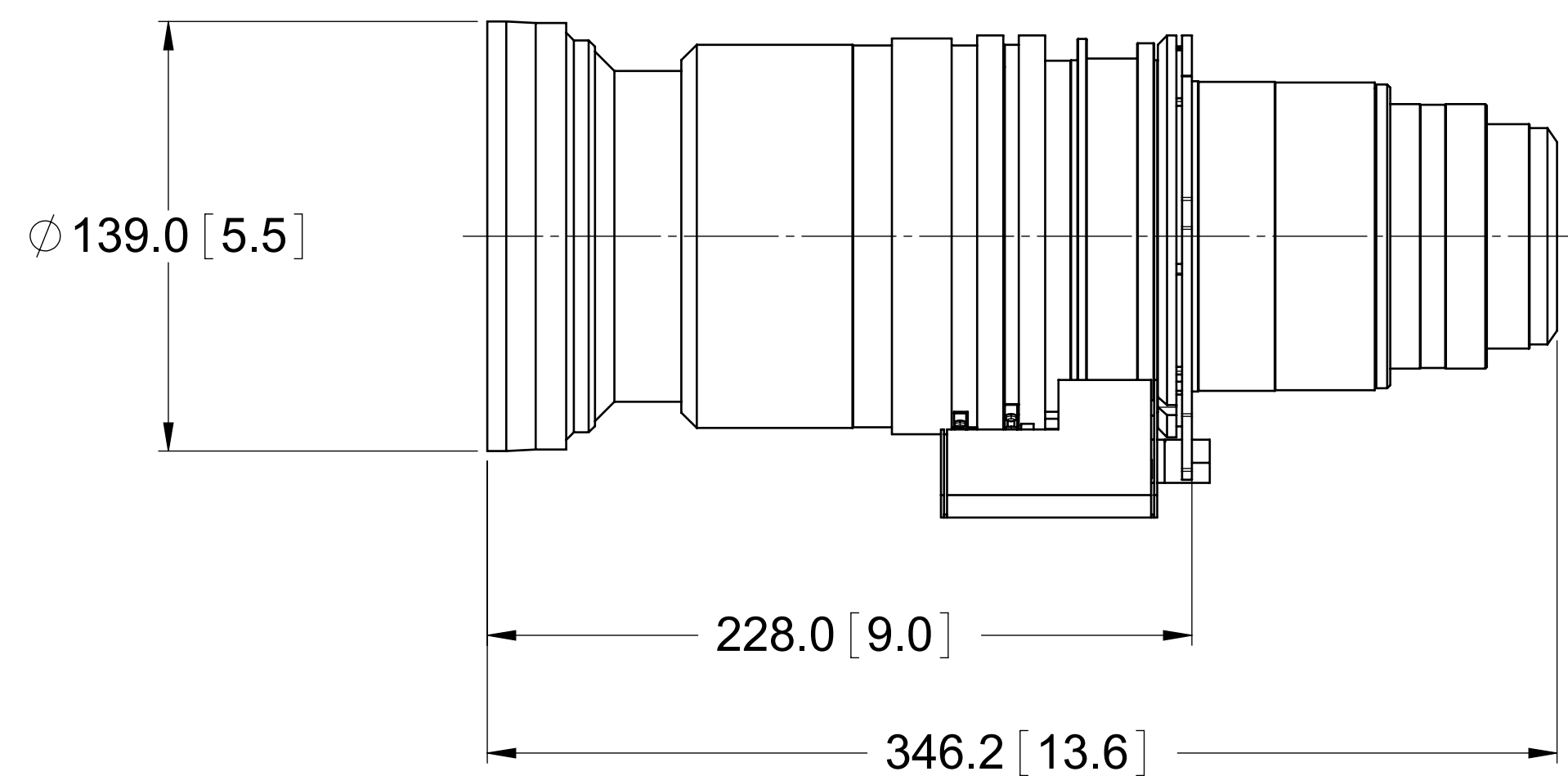
118-100114-XX LENSILS 2.8-4.5SX+/2.6-4.1HD
11.40lbs [5.17Kg]



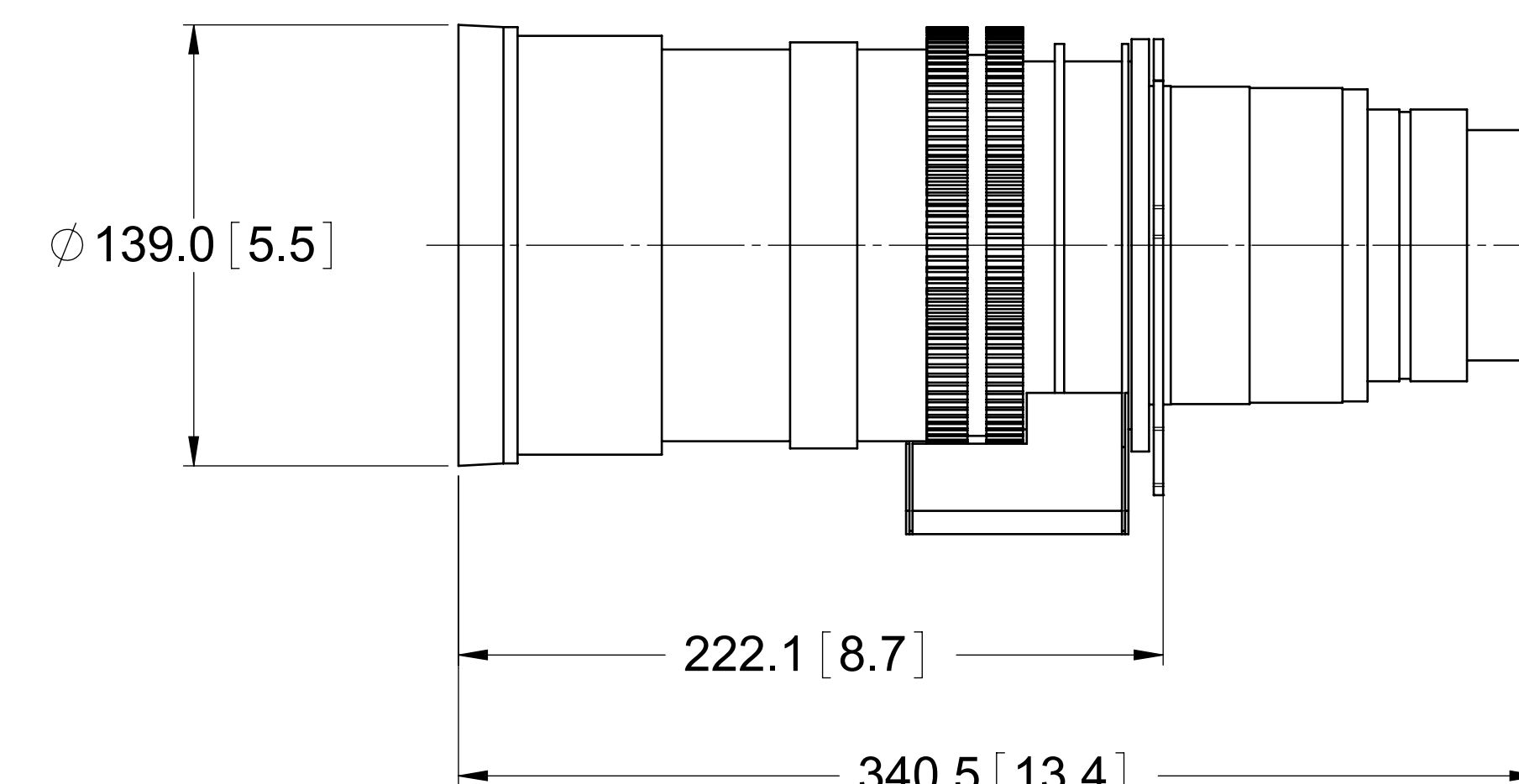
118-100111-XX LENSILS 1.25-1.6SX+/1.16-1.49HD
13.91lbs [6.31Kg]



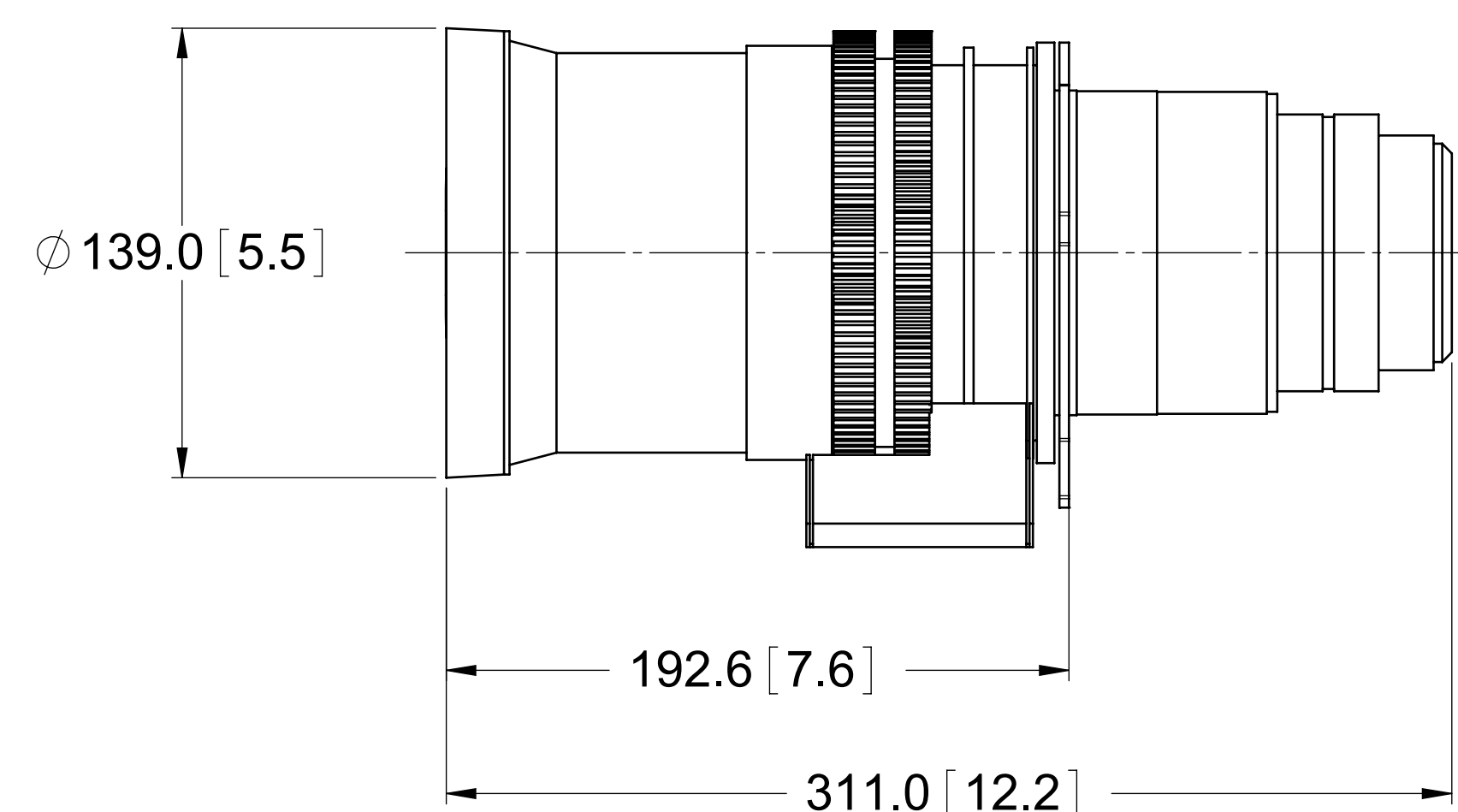
118-100115-XX LENSILS 4.5-7.5SX+/4.1-6.9HD
8.33lbs [3.78Kg]



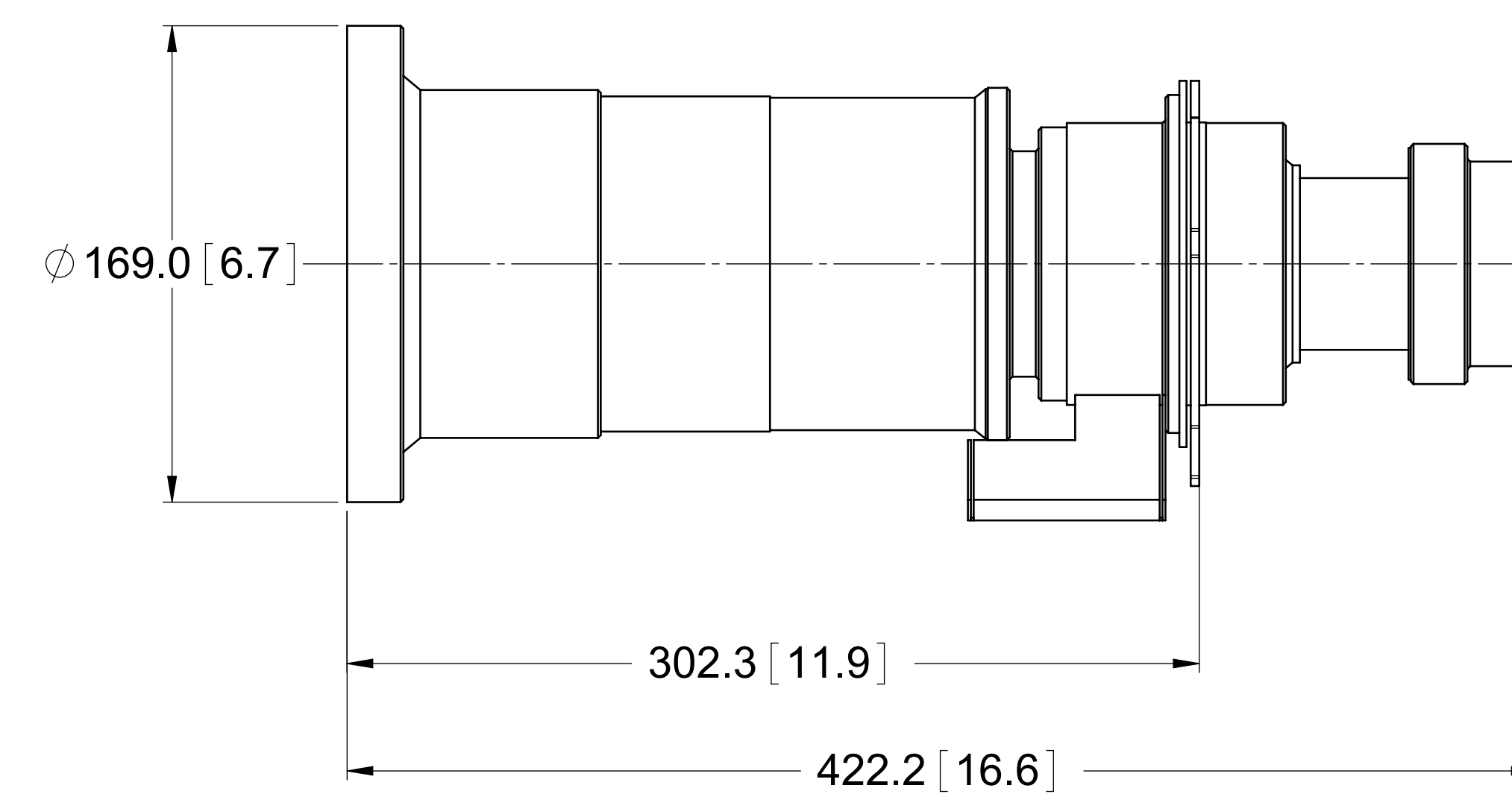
118-100112-XX LENSILS 1.5-2.0SX+/1.4-1.8HD
13.25lbs [6.01Kg]



118-100116-XX LENSILS 7.5-11.2SX+/6.9-10.4HD
11.23lbs [5.09Kg]



118-100113-XX LENSILS 2.0-2.8SX+/1.8-2.6HD
10.96lbs [4.97Kg]



118-100117-XX LENSILS 1.2SX+/1.1HD
13.65lbs [6.19Kg]