

## MECHANICAL SPECIFICATIONS

### FIXTURE

#### Dimensions:

mm: 595 x 598 x 911  
in: 23.4 x 23.6 x 35.9

Weight: 53.5 kg (118 lb)

### PACKED IN ROADCASE

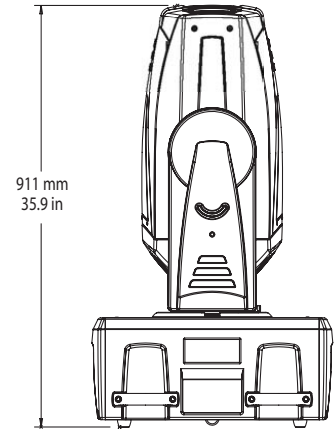
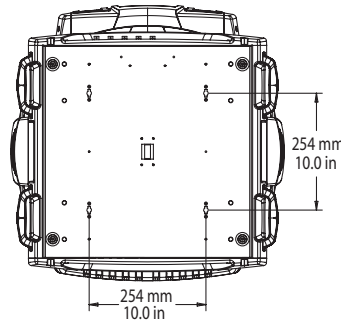
#### Dimensions

mm: 699 x 724 x 1080  
in: 27.5 x 28.5 x 42.5

Weight: 107.5 kg (237 lb)

**Mounting Information:** The DL.2 fixture can be truss mounted using 1/4 camlock c-clamps or style pole mounting brackets. It can also stand upright on a stable surface.

**Colors Available:** Black:



## ELECTRICAL/LAMP\* SPECIFICATIONS

**Input ratings:** 100–120V 7.0A maximum 50/60Hz,  
200–240V 3.5A 50/60Hz

**Power factor:** 0.94

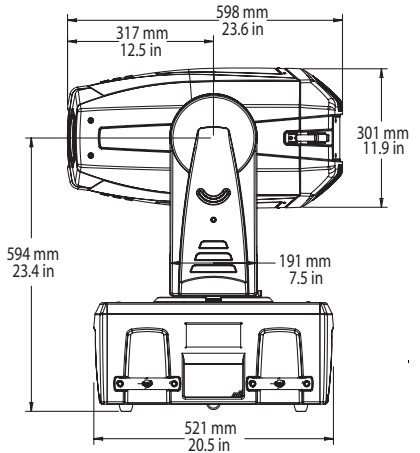
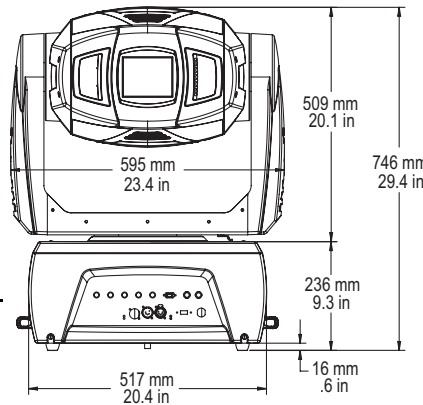
**Fuse:** Power supply output fuse: 5A, 250V slow blow only.

**Lamp:** 300 W UHP (300W NSH)

**Light Output:** 5500 ANSI lumens (5000 ANSI lumens)

**Rated Lamp Life:** 1500 hours

**Throw ratio:** 1.8 - 2.4:1



## COMPUTER

**Processor:** Intel Pentium 3.2 GHz technology

**Memory:** 2 GB DDR2 RAM

**Hard drive:** Seagate SATA

**Video Card:** ATI Radeon X850 XT

**Operating System:** Windows XP embedded

## PROJECTOR\*

**Model:** Christie Digital LX 55/(LX50)

**Aspect ratio:** 4:3 native

**Brightness uniformity:** 90%

**Contrast ratio:** 1000:1 (1200:1), full on/full off

\* Data in parentheses for units manufactured prior to 9/1/06

**Display technology:** 1.3" LCD w/MLA, 3 panels

**Panel resolution:** 1024 x 768 dots

**Zoom Lens Throw Ratio:** 1.8 - 2.4:1

## CAMERA SYSTEM

**Construction:** Super HAD CCD sensor technology

**Lens:** 18x Optical Zoom

**Horizontal view angle:** 48° – 2.8°

**Auto focus Range:** 29mm – 800mm

**Camera Capture Resolution:** 768 x 494 pixels

**Picture Elements:** 380K pixels {768 (H) x 582 (V)}

**Minimum working distance:** 29mm (TELE end, 800mm (WIDE end))

## PART NUMBERS

### Fixture

67010001: DL2 fixture, Black

### Accessories

55030070: Replacement Lamp

80260014: Replacement Filter

## OPERATION

**Pan:** 400°

**Tilt:** 240°

**Control Options:** DMX512, Art-Net

**Minimum Focus Distance:** 1.4 meters (4.6 ft)

**Compliances:** CE, CSA, ETL

**Video Connectors:** RGBHV—BNC x 5, VGA—DB15, S-Video—mini-DIN

**Peripheral/Network Connectors:** 2 USB ports, Ethernet

**DMX Connectors:** 5-pin male and female XLR connectors

**Scanning Frequency:** H-sync. = 15 – 100 KHz, V-sync. = 50 – 100 Hz

**Horizontal Resolution:** 800 TV lines (HDTV):

**Environmental Tolerances:**

Ambient Operating Temperature Range: 5°–35°C (40°–95° F)

Humidity: 20%–80% (non-condensing)

Altitude: 0–8850ft (0–2700m)

**Software Upgrades:** Download Operating software and CMA software from the High End Systems web site ([www.highend.com](http://www.highend.com))

## DMX Channels

Fixture Control		Global Control		Object Control			
Channel Offset	Description	Channel Offset	Description	Object 1 Offset	Object 2 Offset	Object 3 Offset	Description
<b>Motion</b>		22	Intensity	57	95	133	Opacity
1	Pan coarse	23	Effect 1 Mode	58	96	134	Object
2	Pan fine	24	Effect 1 Modifier 1 (red)	59	97	135	Media Folder
3	Tilt coarse	25	Effect 1 Modifier 2 (green)	60	98	136	Media File
4	Tilt fine	26	Effect 1 Modifier 3 (blue)	61	99	137	In Frame coarse
5	Dimmer	27	Effect 2 Mode	62	100	138	In Frame fine
6	Focus	28	Effect 2 Modifier 1 (red)	63	101	139	Out Frame coarse
7	Zoom	29	Effect 2 Modifier 2 (green)	64	102	140	Out Frame fine
8	Mspeed	30	Effect 2 Modifier 3 (blue)	65	103	141	Play mode
9	Macro	31	Mask Select (default iris)	66	104	142	Play speed
10	Control /Input Select	32	Mask Size (100% = open)	67	105	143	Sync type
<b>Camera</b>		33	Mask Edge Fade	68	106	144	Sync to
11	Camera Zoom position coarse	34	Image Edge Fade Top	69	107	145	Visual mode
12	Camera Zoom position fine	35	Image Edge Fade Right	70	108	146	Visual Modifier 1 (black level)
13	Camera Focus position coarse	36	Image Edge Fade Bottom	71	109	147	Visual Modifier 2 (contrast)
14	Camera Focus position fine	37	Image Edge Fade Left	72	110	148	Effect 1 Mode
15	Infrared	38	Keystone Top Left X	73	111	149	Effect 1 Modifier 1 (red)
16	Camera Shutter	39	Keystone Top Left Y	74	112	150	Effect 1 Modifier 2 (green)
17	White balance	40	Keystone Top Right X	75	113	151	Effect 1 Modifier 3 (blue)
18	Camera Orientation	41	Keystone Top Right Y	76	114	152	Effect 2 Mode
19	Camera Effects	42	Keystone Bottom Right X	77	115	153	Effect 2 Modifier 1 (red)
20	Red Gain	43	Keystone Bottom Right Y	78	116	154	Effect 2 Modifier 2 (green)
21	Blue Gain	44	Keystone Bottom Left X	79	117	155	Effect 2 Modifier 3 (blue)
		45	Keystone Bottom Left Y	80	118	156	Rotation X coarse
		46	Keystone X Ratio	81	119	157	Rotation X fine
		47	Keystone Y Ratio	82	120	158	Rotation Y coarse
		48	Viewpoint mode	83	121	159	Rotation Y fine
		49	Viewpoint X Position coarse	84	122	160	Rotation Z coarse
		50	Viewpoint X Position fine	85	123	161	Rotation Z fine
		51	Viewpoint Y Position coarse	86	124	162	X Scale
		52	Viewpoint Y Position fine	87	125	163	Y Scale
		53	Viewpoint Z (Zoom) coarse	88	126	164	Z Scale
		54	Viewpoint Z (Zoom) fine	89	127	165	X Position coarse
		55	Global Control	90	128	166	X Position fine
		56	Global Control Modifier	91	129	167	Y Position coarse
				92	130	168	Y Position fine
				93	131	169	Z Position coarse
				94	132	170	Z Position fine